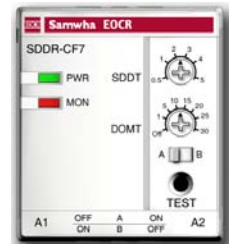


SDDR-C

◆ General Introduction

- SDDR-C can be used for automatic restarting of motor without manual operation of “On(Start)” button when a power interruption occurs for a few seconds.
- when power interruption or power dip occurs for a few seconds.
- There are two application types with same function but differentiated by the position of On(Start) and Off(Stop) switch.
- “A” and “B” type can be selected by a Dip switch on the relay fascia.



◆ Application

- Continuous Process Factory as like Petrochemical plant, Steel Plant, Textile Factory.
- Continuous Conveyor System.

◆ Usage

- Shut Down Delay Time (SDDT) :

SDDR-C works when the duration of the power interruption is shorter than preset time by SDDT.

- Delay On Make Time (DOMT) :

When the power interruption occurs during motor run and power recover within SDDT preset time, the internal relay will be energized after preset DOMT time elapsed.

◆ Detected voltage level of power interruption.

Frequency	Rated voltage	Voltage level	Duration
50Hz	110/115/120VAC	77V ~ 83V	85ms
	220/230/240VAC	154V ~ 165V	
60Hz	110/115/120VAC	66V ~ 72V	
	220/230/240VAC	132V ~ 143V	

◆ LED indication in accordance with operation

Item	LED		Internal Relay Status
	Power(Green)	MON(Red)	
Supply power			Open
On input			Close
Under power interruption			Open
Power interruption > Preset SDDT			Open
Under DOMT operating			Open
Normal Operation			Close

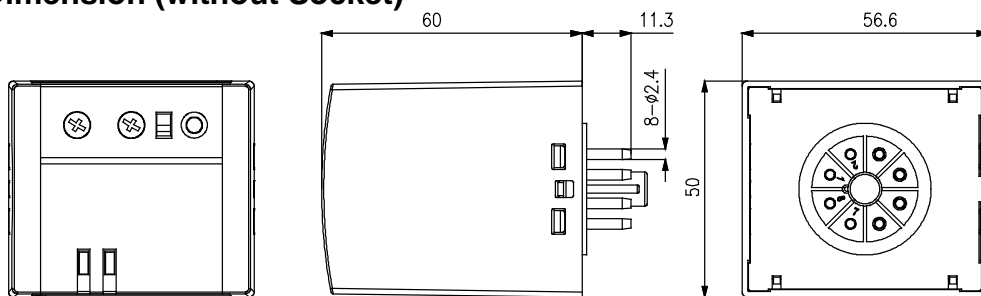
◆ Specification

Time Setting	SDDT	0.5 ~ 5 sec
	DOMT	Off, 1 ~ 30 sec
Control Power	110	85 ~ 150VAC
	220	180 ~ 260VZC
Frequency	50/60Hz	
Operation LED Indication	2x5 Square Green and Red LED	
Internal Relay	3A/250VAC Resistive	
Mounting	8 Pin Socket Plug-in	
Temperature	Operation	-20 ~ 60°C
	Store	-30 ~ 80 °C
Humidity	30 ~ 85% RH without condensation	
Insulation	Between case & circuit	Over 10MΩ, 500VDC
Dielectric strength	Between case & circuit	2KV 50/60Hz 2min.
	Between contacts	1KV 50/60Hz 1 min.
Electrostatic discharge(ESD)	IEC61000-4-2	Level 3 : Air Discharge : ±8KV. Contact Discharge : ±6KV
Radiated Disturbance	IEC61000-4-3	Level 3 : 10V/m, 80~1000MHz
EFT / Burst	IEC61000-4-4	Level 3 : ±2KV, 1min.
Surge	IEC61000-4-5	Level 3 : 1.2x50 μ s, ±2KV(0°,90°,180°,270°)
Conducted Disturbance	IEC61000-4-6	Level 3: 10V, 0.15~80MHz
Emission	IEC60255-25	Class A(conducted and radiated)
Dimension	50.0(W) x 56.6(H) x 75.0(D)	
Weight	102.5g (without Socket)	
Life time	6 years	

◇ Note

- ✓ SDDR-c will works after 5sec with initial power applied on A1 and A2 terminal to charge the internal capacitor.
- ✓ For operating confirmation, it is recommended to test the product with periodical check with test button on the product facia.
It operates same as power interrupted during the test button is pressed.
- ✓ Harmonics can be affected to power interruption voltage level of the product.

◆ Dimension (without Socket)



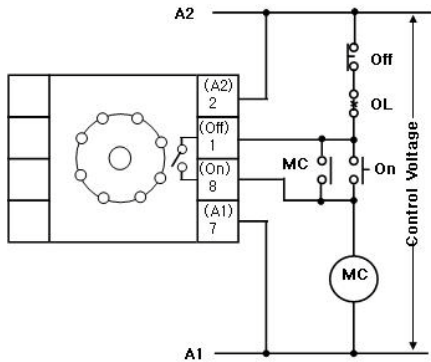
◆ Socket

Manufacturer	Model
KOINO	KH-KTS-8
KACON	K2CF08
MTBBICS	PS-08

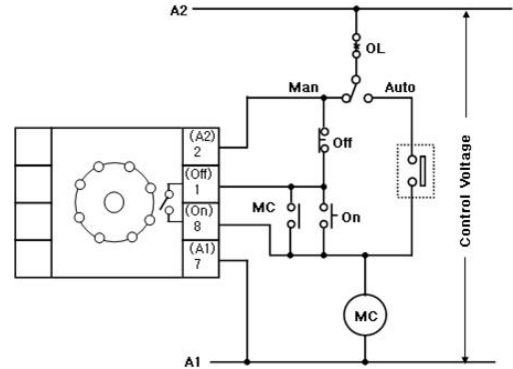
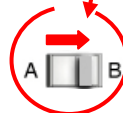
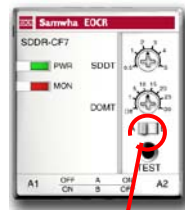
Notice) We do not offer socket.

◆ **Wiring Diagram**

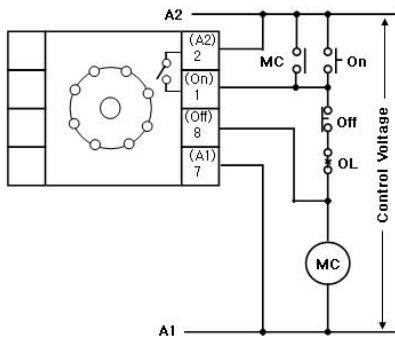
“B” Type Drawing



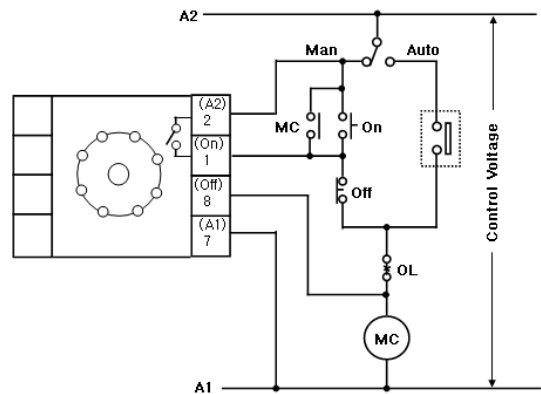
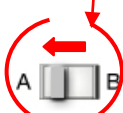
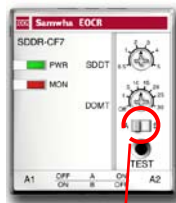
“B” Type Drawing : Auto- Manual Selection



“A” Type Drawing



“A” Type Drawing : Auto- Manual Selection



◆ **Order code**

Reference		Control voltage	
		Voltage [V]	Frequency [Hz]
SDDR	-CF7	AC 110/115/120V	50/60
	-CM7	AC 220/230/240V	50/60